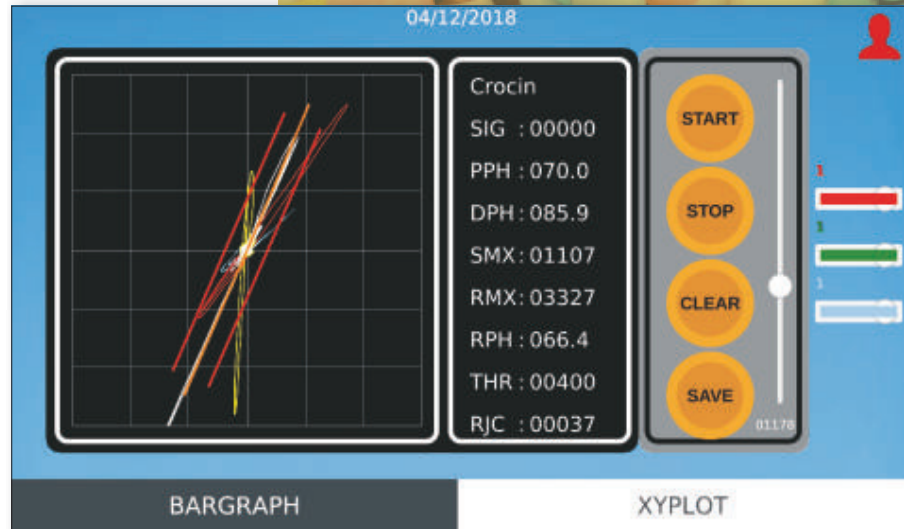


PHARMA METAL DETECTOR

METALTRAP GX-30



- 7" Touch Screen Display
- Intuitive graphical user interface
- Real time X-Y plot
- FDA 21 CFR Part 11 - compliant
- 64 bit processor
- Ethernet connectivity
- 16GB data memory expandable up to 64GB
- Auto learning
- Dual frequency version for iron tablets/capsules
- Combo model (with De-Duster) available
- Finger print sensor (optional)



TECHNOFOUR ELECTRONICS PVT. LTD.

www.teplindia.com

Metaltrap GX-30 for Pharmaceutical industry is a next-generation highly sophisticated system with best in class features. Optimised coil design and operating frequency ensures very high sensitivity with minimal product/environment effect. Designed and manufactured to meet stringent requirement of pharmaceutical industry.

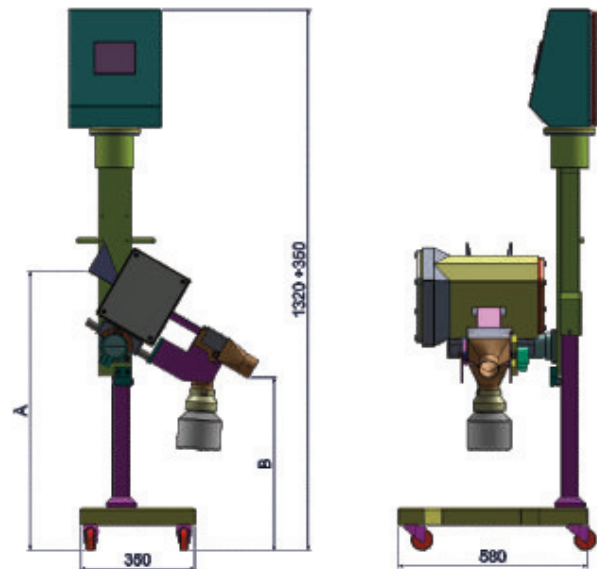
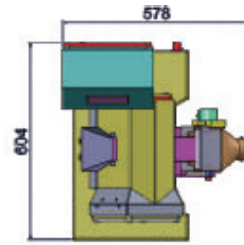
SALIENT FEATURES

- Real time X-Y plot
- Extremely high detection sensitivity for all metals
- Sophisticated digital signal processing to detect minute metal particles in addition to phase Sensitive detection
- 7" touch screen
- Auto setting facility
- 16GB data storage memory expandable up to 64GB
- Sample E - signature
- Product auto-tracking
- Validation using prompt
- Reject confirmation option
- Multilevel passwords
- Continuous online self check monitoring system
- Reject time stamping
- Fail safe mechanism
- Digital control and signal processing
- Set parameter data retention on loss of power
- Buzzer on detection of metal contamination
- Bargraph and numeric display

GENERAL SPECIFICATION

- **Aperture size:** 95mm X 22mm (can be customized)
- **Sensitivity:** Down to 0.25mm Fe (Model GX-30H)
- **Construction:** All Stainless steel contact parts are in SS 316L, mirror finished optional.
- **Throughput:** 10,000 tablets/capsules per minute
- **Contacts for interlock:** Floating relay
- **Operating temperature:** 0 to 45°C ambient
- **Humidity:** Up to 95% relative humidity

* Due to continuous development, specifications subject to change without notice.



MD PHARMA COIL POSITION - BOTTOM MOUNTING

	MD PHARMA INLET HEIGHT A	MD PHARMA OUTLET HEIGHT B
MINIMUM	505 mm	180 mm
MAXIMUM	885 mm	560 mm

MD PHARMA COIL POSITION - TOP MOUNTING

	MD PHARMA INLET HEIGHT A	MD PHARMA OUTLET HEIGHT B
MINIMUM	900 mm	575 mm
MAXIMUM	1280 mm	955 mm



TECHNOFOUR ELECTRONICS PVT. LTD.

Gat No.3(PT), 5(PT), 243(PT), Kasurdi (Kheba),
 Khed Shivapur-Saswad Road, Post: Khed Shivapur,
 Taluka: Bhor, District: Pune 412 205. Maharashtra, India.
 Tel: 8888832057, 8888832194, + 91-2113-305200, 305246
 Email: pcssales@tepl.co.in
 Website: www.teplindia.com